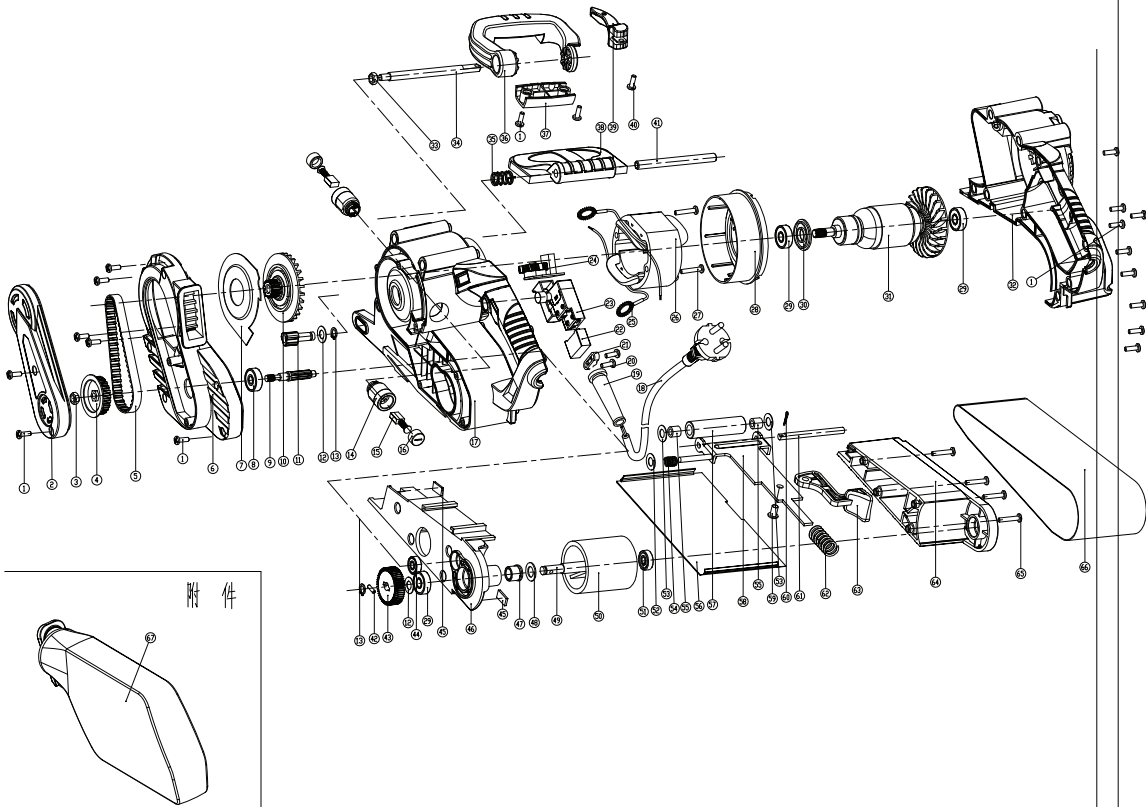


EXPLODED VIEW RDP-BS11

RAIDER®



PARTS LIST RDP-BS11

No.	Description	PCS	No.	Description	PCS
1	Cross pan head tapping screw ST4 × sixteen	21	39	Flap	1
2	Belt cover	1	40	Locking wrench	1
3	M6 hexagon nut	1	41	Cross pan head tapping screw ST4 ×14-B	1
4	Small timing pulley	1	42	Cylindrical pin φ8×88	1
5	Timing belt/102×L031A	1	43	Cylindrical pin φ 3×11	1
6	Vacuum seat	1	44	big gear wheel	1
7	Dust cover	1	45	606 Bearing	1
8	627 Bearing	1	46	Porcelain chip (8×16×2mm thick)	2
9	Gear shaft	1	47	Stand	1
10	Large synchronous pulley	1	48	Copper sleeve	1
11	Adjusting knob	1	49	Flat gasket	1
12	Adjustment knob insert	1	50	Rear axle	1
13	Flat gasket (black)	2	52	rear wheel	1
14	Circlip for shaft 8	2	53	626 bearing (rubber cover)	1
15	Brush holder	2	54	Flat gasket (black)	1
16	Carbon brush 6×10×14.5	2	55	Flat gasket (black)	2
17	Brush holder cover	2	56	Adjusting spring	1
18	Left casing	1	57	Needle bearing HK0609	2
19	Cable line	1	58	floor	1
20	Cable sheath	1	59	Tensioner wheel	1
21	Cross pan head tapping screw ST4×14	2	60	Tensioning support	1
22	Cable pressing plate	1	61	Flat head semi hollow rivet 6×10	1
23	Two corner capacitance 0.22uF	1	62	Locking pin (cotter pin) M1.6 ×10	1
24	switch	1	63	Tensioning shaft	1
25	governor	1	64	Tension spring	1
26	drag spring	2	65	Tensioning wrench	1
27	stator	1	66	Bracket base	1
28	Cross pan head screw st4×50	2	67	Cross pan head tapping screw st4×40	4
29	Wind deflector	1	68	Abrasive belt 80 mesh	1
30	608 bearing (rubber cover)	3	69	Two tooth buckle	3
31	Spacer ring	1	70	I-shaped bag buckle	4
32	rotor	1	71	Lubricating grease	
33	Right casing	1	72	Dust collection bag (with steel wire)	1
34	M6 locknut	1			
35	screw	1			
36	Button spring	1			
37	D-handle	1			
38	D-handle cover 1	1			